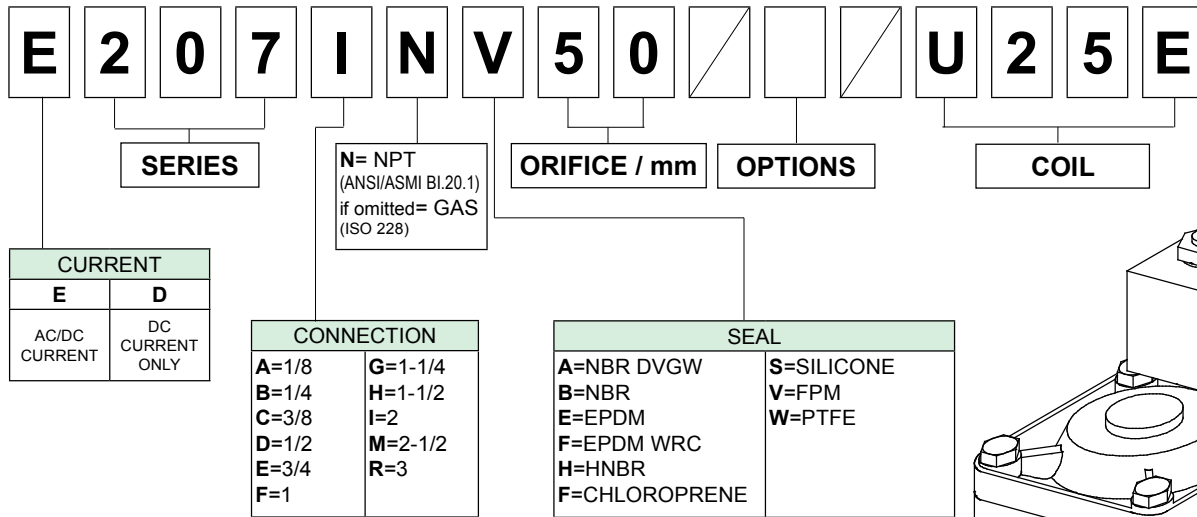


1.2 Descriptive part numbering for servo-assisted versions

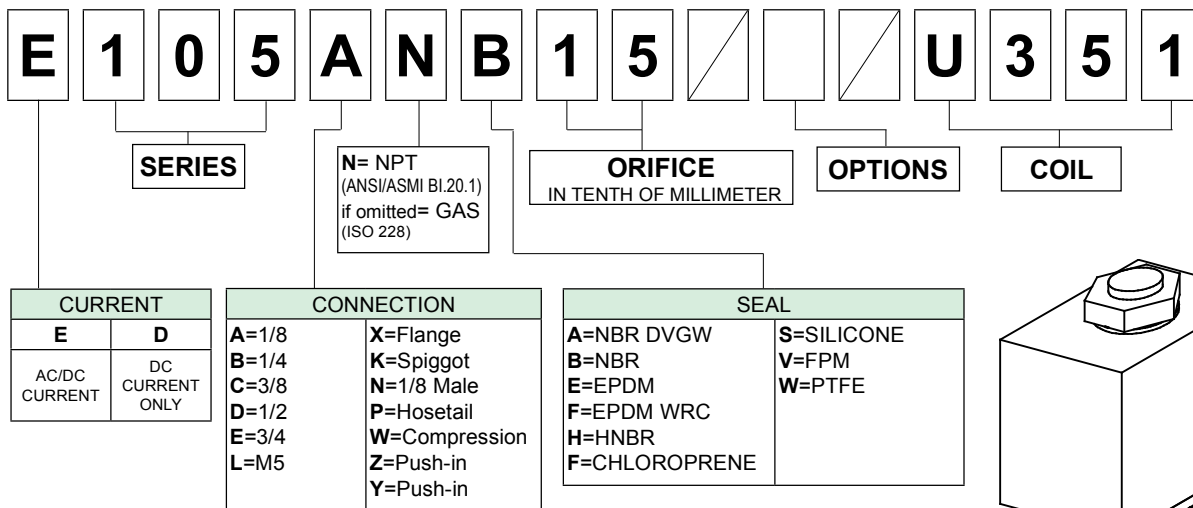
1



Example :
E207INV50///U25F

Description: solenoid valve suitable for alternating or direct current 2/2 normally open, 2 NPT connections, FPM seal, orifice 50mm (1.97in), coil width 30mm (1.18in), class H insulation, power consumption 15VA, voltage 240V 60Hz.

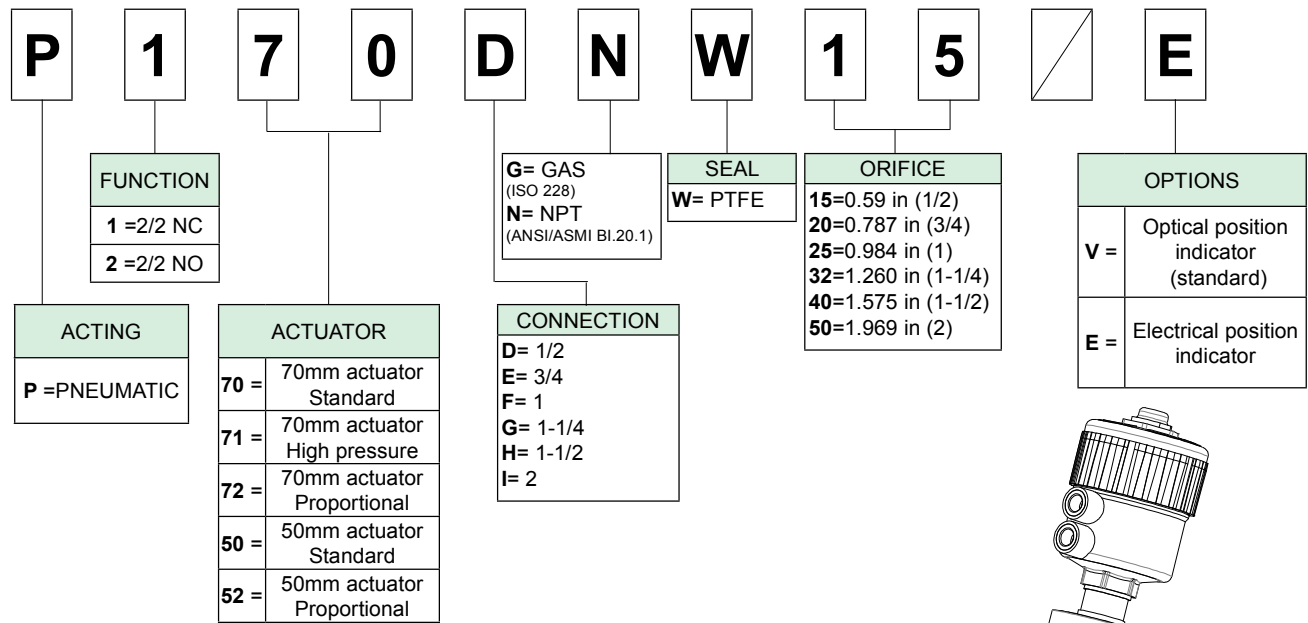
Descriptive part numbering for direct-acting versions



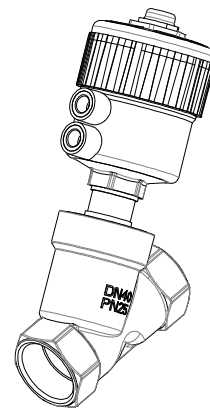
Example :
E105ANB15///U351

Description: Solenoid valve suitable for alternating or direct current, 2/2 normally closed, 1/8 NPT connections, NBR seal, orifice 1.5mm (0.06in), coil width 22mm (0.866in), class H insulation, power consumption 6.5W, voltage 24V DC

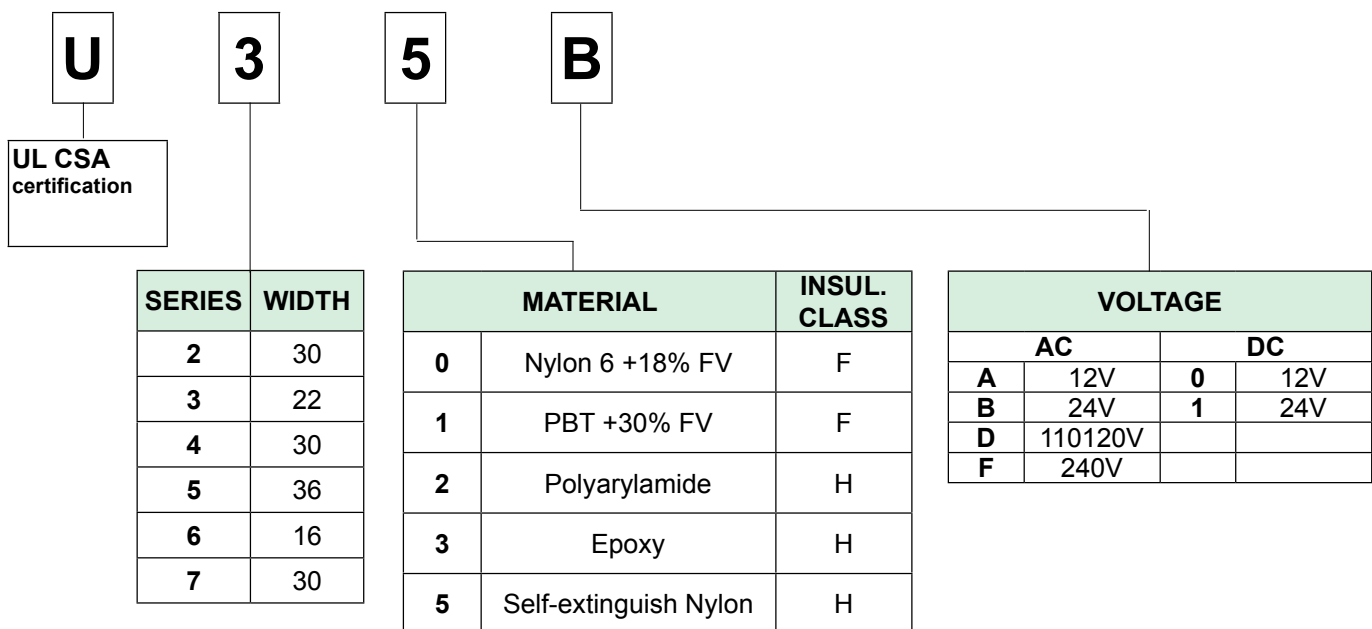
Descriptive part numbering for angle seat valves



Example :
P170DNW15/E
 Angle seat valve 2/2 NC actuator Ø70,
 1/2 NPT connection, PTFE seals, electrical position indicator



Descriptive part numbering for coils



Example :
U35B
 Coil width 22mm (0.866in) in self-extinguish Nylon,
 Insulation class H, Voltage 24V 60Hz, Power 8VA