

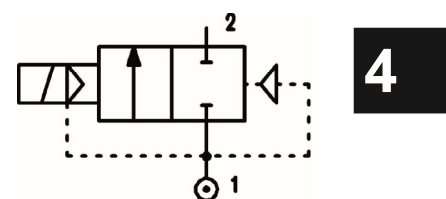
DESCRIPTION

Solenoid valve 2 way normally closed with servo-assisted piston suitable for air and water.
Its requested a minimum differential pressure of 10 psi.



CONSTRUCTION

Body and cover	Brass
Armature tube	Stainless steel
Plunger and core	Stainless steel
Piston	Stainless steel
Springs	Stainless steel
Seal material	main seal PTFE other FPM

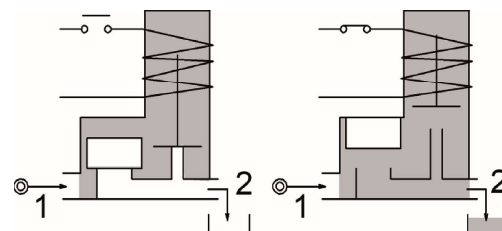


FEATURES

- Minimum differential pressure 10 psi
- Maximum allowable pressure 2900 psi
- Maximum fluid viscosity 12cSt (mm²/s)
- Ambient temperature:
 - +14°F +131°F (class F coil)
 - +14°F +140°F (UL certified coil)
 - +14°F +176°F (class H coil)

Preferred mounting position with vertical coil above

OPTIONS: Electroless nickel plating
c us certified coils



CODE	Port Size GAS ISO 228 ①	Orifice Size		Flow Factor Cv (gpm)	Operating Pressure Differential (M.O.P.D.)				Nominal power			Coil		Seal	Temp. range (°F)	
		(in)	(mm)		Min (psi)	Min (bar)	Max		AC (VA) Inrush Holding	DC (W)	Series	Width (mm)				
							(psi)	(bar)					(psi)			(bar)
E123CW07///...	3/8	0.276	7	0.97	10	0.7	1450	100	1160	80	20	15	10	2	PTFE=W	+14 +203
							2175	150	2175	150	40	30	27	5		

② Coil Example: E123CW07///201 PTFE seal
Coil 24V DC

COILS Code ②	Alternating Current						Direct Current		Electrical connection	Connectors
	24V		120V		240V		12V	24V		
Series 2 Width 30mm	U25B 20B 	U25D 20D 	U25F 20F 	U250 200 	U251 201 			DIN 43650A	PG9 code 10349000	
Series 5 Width 36mm	52B	52D	52F	520	521			DIN 43650A	PG11 code 10349001	

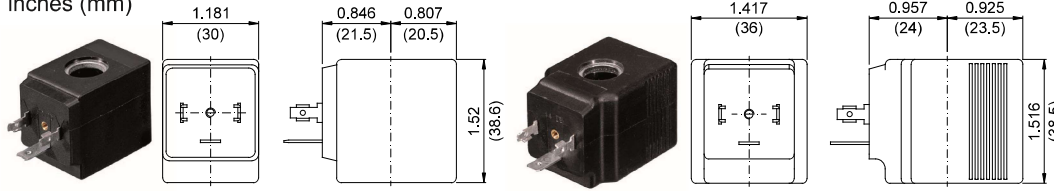
DESCRIPTION
 Insulation class
 Series 2 =F Series 5=H
 Voltage tolerance ±10%
 Protection class
 IP65 with connector fitted
 IP00 without connector
 Continuous service ED100%

OPTIONS
 Class H insulation (series 2)
 Cable attached
 Special coil voltage
 Special coil powers
 certified coils

**FOR COIL SPECIFICATION
 SEE SECTION 6**

OVERALL DIMENSIONS

inches (mm)

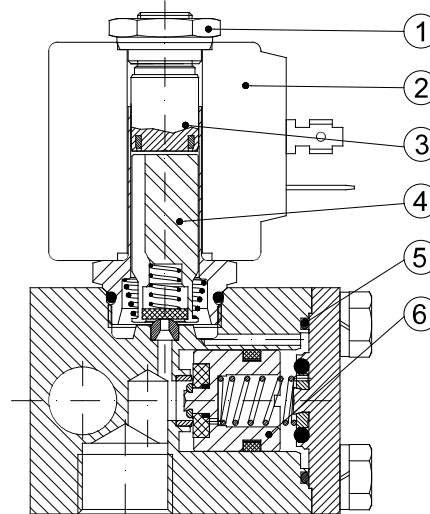


Series 2 Weight 0.26lb (0.12Kg)

Series 5 Weight 0.44lb (0.20Kg)

SPARE PARTS LIST

1. Coil fixing nut
2. Coil
3. Armature tube assembly
4. Plunger assembly
5. Piston assembly
6. OR
7. OR



OVERALL DIMENSION

inches (mm)

