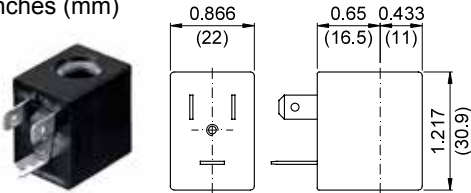


COILS Code ②	Alternating Current						Direct Current				Electrical connection	Connectors
	24V		120V		240V		12V		24V			
Series 3 Width 22mm	U35B	30B	U35D	30D	U35F	30F	U350	300	U351	301	DIN 46244	PG9 code 10348000

DESCRIPTION
 Class F or H insulation
 Voltage tolerance $\pm 10\%$
 Protection class:
 IP65 with connector attached
 IP00 without connector
 Continuous service ED100%

OVERALL DIMENSIONS

inches (mm)



Series 3 Weight 0.11lb (0.05Kg)

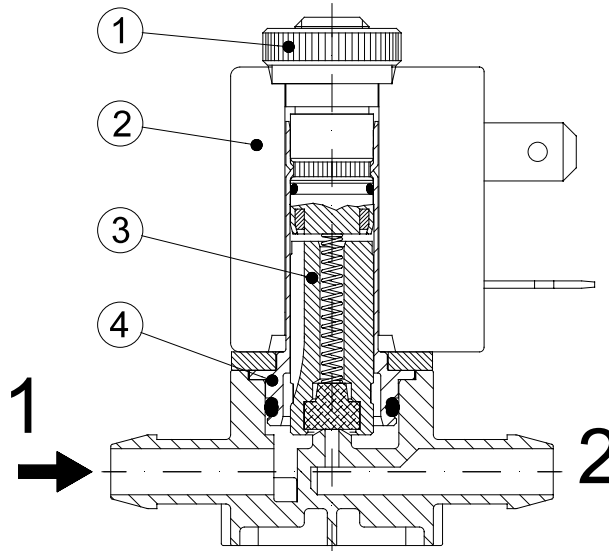
OPTIONS

Cable attached
 Special coil voltage
 Special coil powers

FOR COIL SPECIFICATION SEE SECTION 6

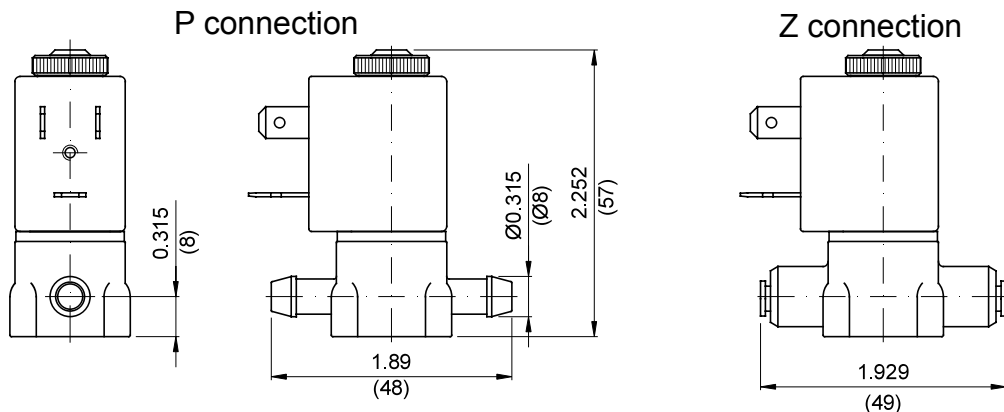
SPARE PARTS LIST

1. Coil fixing nut
2. Coil
3. Plunger assembly
4. Armature tube assembly

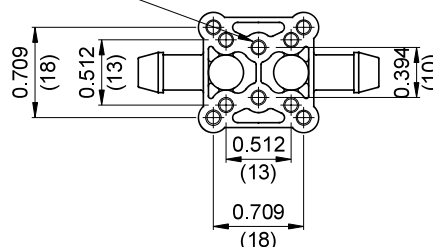


OVERALL DIMENSIONS

inches (mm)



Holes for self-threading screws $\text{Ø}0.118$ ($\text{Ø}3$) max depth 0.315 (8)
 Max tightening torque 5 Nm



Weight with coil series 3=0.22lb (0.10Kg)
 Weight with coil series 4=0.33lb (0.15Kg)