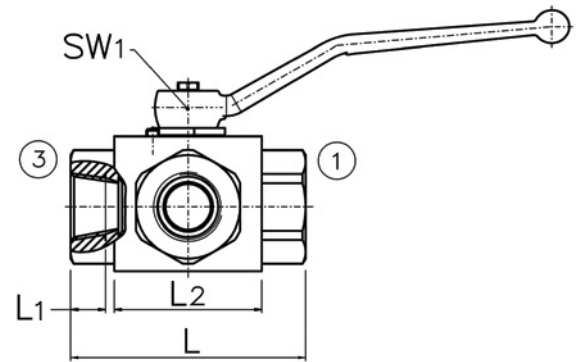
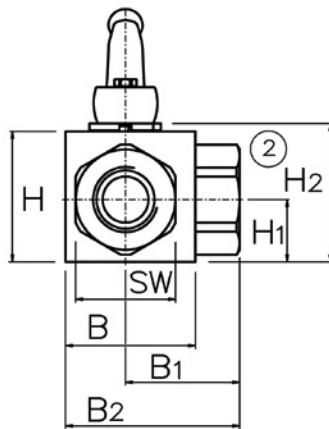


# AB3 Series - Three-Way Block Body Threaded



- L-port design diverter valve
- Carbon steel with zinc nickel plating
- POM seats and Buna O-rings standard on carbon steel valves (-11DB)
- Handle shown in Handle Code field supplied standard
- Dimensions in inches unless otherwise noted
- Dimensions subject to change without notice



AB3 SERIES																
PART NUMBER	DN (NOMINAL SIZE IN MM)	NPT THREAD	L	L2	B	B1	B2	H	H1	H2	SW	SW1	HANDLE CODE (SEE PG 50-51)	WEIGHT (LBS)	PSI MAX	LOCKING KIT # (SEE PG 48-49)
AB3LN1-1/4-11DB	32	1-1/4-11.5	4.06	2.91	3.15	2.34	3.72	3.15	1.44	3.31	2.36	0.67	21	8.5	6090	LK32/40/50
AB3LN1-1/2-11DB	40	1-1/2-11.5	4.49	3.54	3.94	3.01	4.66	3.54	1.68	3.70	2.95	0.67	21	13.8	6090	LK32/40/50
AB3LN2-11DB	50	2-11.5	5.04	4.33	4.72	3.68	5.69	4.33	2.17	4.49	3.35	0.67	21	23.0	6090	LK32/40/50

Only pressurize center port (port #2). Side ports (ports #1 and #3) should not be pressurized or be exposed to back pressure that is greater than the inlet pressure. Failure to follow these guidelines will result in internal leakage through the valve. For applications requiring pressure applied to side ports, please refer to AE3K Series valves.



# AB3 Series - Three-Way Block Body Threaded

## Model Code Breakdown

AB3 L N2 - 1 1 D B \_

**VALVE SERIES**

**PORT TYPE**

L	"Diverter" L-Port
---	-------------------

**CONNECTION TYPE/SIZE**

N	NPT Pipe Thread
---	-----------------

**BODY & ADAPTER MATERIAL**

1	Carbon Steel
---	--------------

**BALL & STEM MATERIAL**

1	Carbon Steel
---	--------------

**LOCKING KIT OR  
OPTIONAL HANDLE CODE**  
(See pages 48-51)

**ADAPTER & STEM SEALS**

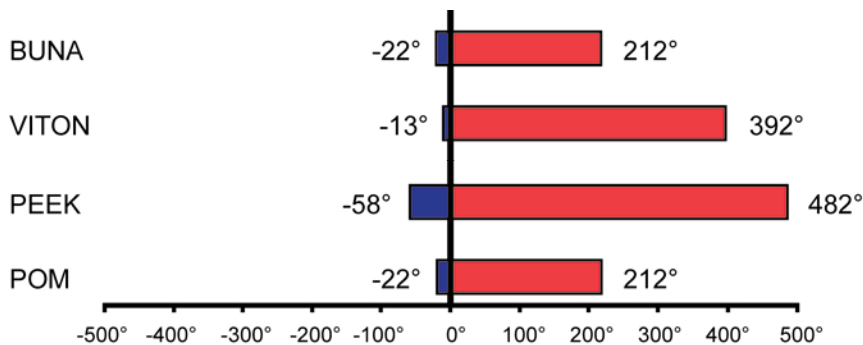
B	Buna
V	Viton

**BALL & STEM SEATS**

D	POM- Standard
---	---------------

Please consult your system's seal manufacturer for recommendation of seal selection, as Anchor Fluid Power does not accept responsibility for seal selection.

### MAXIMUM & MINIMUM WORKING TEMPERATURES FOR SEAL MATERIALS



All temperatures are in degrees Fahrenheit.