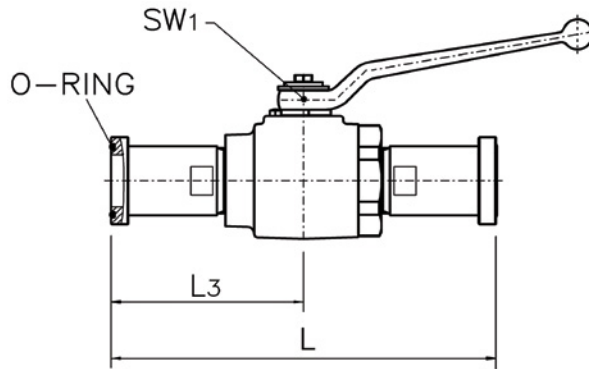
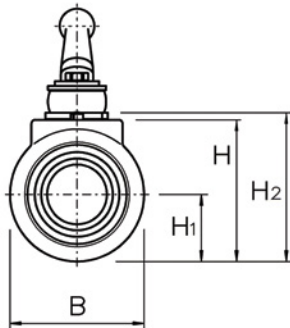


ABS Series - Two-Way Forged Body Flange Head



- O-ring groove both ends
- Carbon steel with zinc nickel plating
- Duplex/316 stainless steel available from stock
- POM seats and Buna O-rings standard on carbon steel valves (-11DB)
- POM seats and Viton O-rings standard on stainless steel valves (-22DV)
- Handle shown in Handle Code field supplied standard
- Dimensions in inches unless otherwise noted
- Dimensions subject to change without notice



ABS SERIES CODE 61/CODE 62

CODE 61 PART NUMBER	CODE 62 PART NUMBER	DN (NOMINAL SIZE IN MM)	FLANGE SIZE	L	L3	B	H	H1	H2	SW1	HANDLE CODE CC/SS (SEE PG 50-51)	WEIGHT (LBS)	PSI MAX	LOCKING KIT # (SEE PG 48-49)
ABS3#20	ABS6#20	32	1-1/4	7.52/8.78	3.90/4.53	2.87	3.15	1.44	3.33	0.67	21/37	8.8	4060/6090	LK32/40/50
ABS3#24	ABS6#24	38	1-1/2	9.09/11.06	4.55/5.53	3.35	3.54	1.67	3.72	0.67	21/37	12.3	3045/6090	LK32/40/50
ABS3#32	ABS6#32	51	2	9.13/12.44	4.57/6.24	3.90	4.09	1.95	4.27	0.67	22/38	17.0	3045/6090	LK32/40/50



ABS Series - Two-Way Forged Body Flange Head

Model Code Breakdown

ABS3 #32 - 1 1 D B _

VALVE SERIES

ABS3	Code 61
ABS6	Code 62

CONNECTION SIZE

BODY & ADAPTER MATERIAL

1	Carbon Steel
2	Duplex/ 316 Stainless Steel

BALL & STEM MATERIAL

1	Carbon Steel
2	316 Stainless Steel

LOCKING KIT OR OPTIONAL HANDLE CODE
(See pages 48-51)

ADAPTER & STEM SEALS

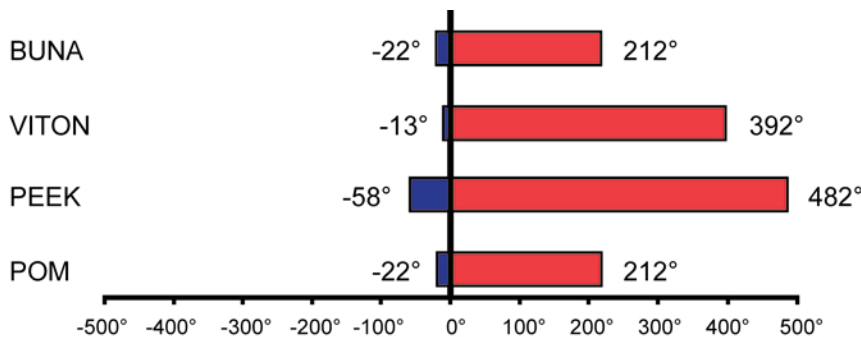
B	Buna
V	Viton

BALL & STEM SEATS

D	POM- Standard
---	---------------

Please consult your system's seal manufacturer for recommendation of seal selection, as Anchor Fluid Power does not accept responsibility for seal selection.

MAXIMUM & MINIMUM WORKING TEMPERATURES FOR SEAL MATERIALS



All temperatures are in degrees Fahrenheit.