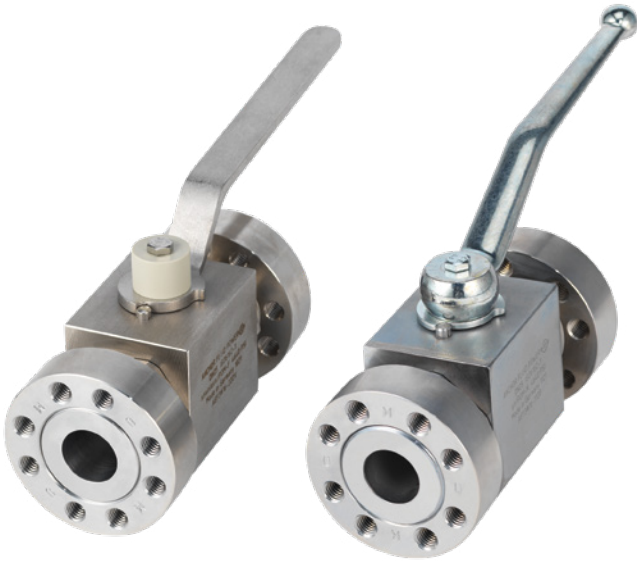
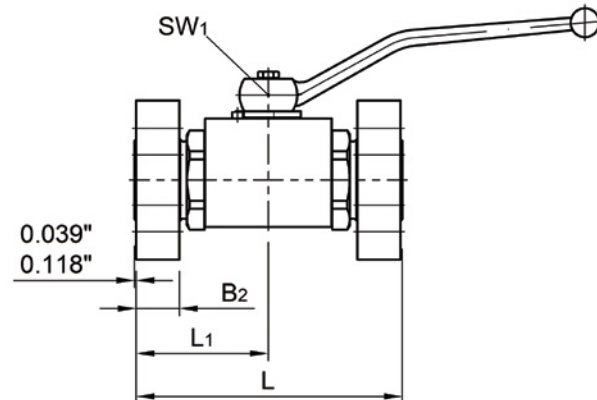
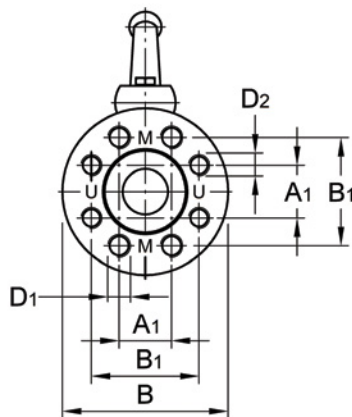


AEF Series - Two-Way Block Body Flat Face



- Flat face both ends
- Carbon steel with zinc nickel plating
- 316 stainless steel available from stock
- POM seats and Buna O-rings standard on carbon steel valves (-11DB)
- POM seats and Viton O-rings standard on stainless steel valves (-22DV)
- Both metric (ISO 6162) and UNC (SAE J518) threads standard on all valves
- Handle shown in Handle Code field supplied standard
- Dimensions in inches unless otherwise noted
- Dimensions subject to change without notice



AEF SERIES CODE 61/CODE 62

CODE 61 PART NUMBER	CODE 62 PART NUMBER	DN (NOMINAL SIZE IN MM)	FLANGE SIZE	D1	D2	A1	B1	B2	L	L1	B	SW1	HANDLE CODE CC/SS (SEE PG 50-51)	WEIGHT (LBS)	PSI MAX	LOCKING KIT # (SEE PG 48-49)
AEF3#8	AEF6#8	13	1/2	M8	5/16 - 18 UNC	0.69/0.72	1.50/1.59	0.79/0.83	4.25	2.13	2.36	0.39	14/34	3.1	5075/6090	LK12FF
AEF3#12	AEF6#12	19	3/4	M10	3/8 - 16 UNC	0.88/0.94	1.87/2.00	0.87/0.94	5.16	2.58	2.76/3.15	0.55	15/35	6.2	5075/6090	LK20/25FF
AEF3#16	AEF6#16	25	1	M10/M12	3/8 - 16 UNC/ 7/16 - 14 UNC	1.03/1.09	2.06/2.25	0.87/1.06	5.67	2.83	2.95/3.54	0.55	15/35	9.0	4640/6090	LK20/25FF



AEF Series - Two-Way Block Body Flat Face

Model Code Breakdown

AEF3 #16 - 1 1 D B _

VALVE SERIES

AEF3	Code 61
AEF6	Code 62

CONNECTION SIZE

BODY & ADAPTER MATERIAL

1	Carbon Steel
2	316 Stainless Steel

BALL & STEM MATERIAL

1	Carbon Steel
2	Duplex/ 316 Stainless Steel

**LOCKING KIT OR
OPTIONAL HANDLE CODE**
(See pages 48-51)

ADAPTER & STEM SEALS

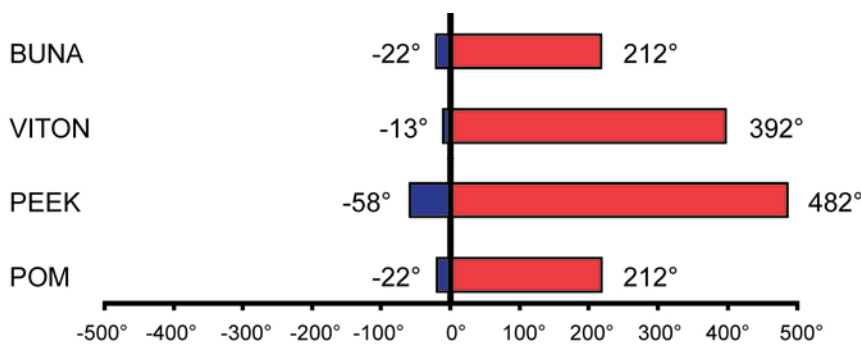
B	Buna
V	Viton

BALL & STEM SEATS

D	POM- Standard
---	---------------

Please consult your system's seal manufacturer for recommendation of seal selection, as Anchor Fluid Power does not accept responsibility for seal selection.

MAXIMUM & MINIMUM WORKING TEMPERATURES FOR SEAL MATERIALS



All temperatures are in degrees Fahrenheit.