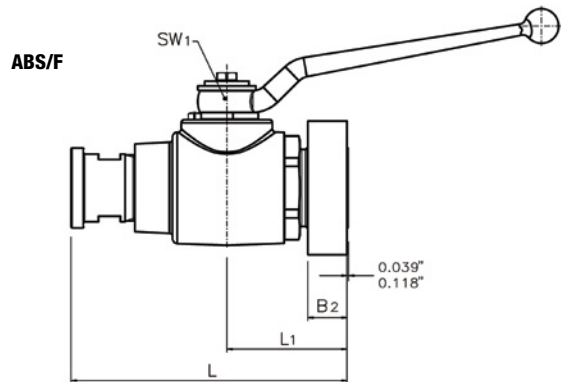
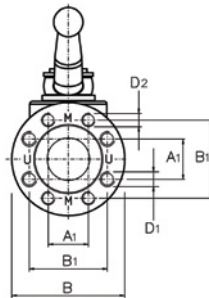
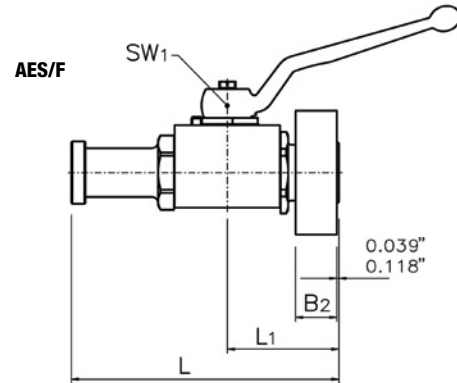
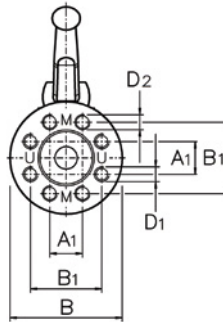


AES/F & ABS/F Series - Flange Head X Flat-Face



- O-ring one end, flat face one end
- Carbon steel with zinc nickel plating
- POM seats and Buna O-rings standard on carbon steel valves (-11DB)
- POM seats and Viton O-rings standard on stainless steel valves (-22DV)
- Both metric (ISO 6162) and UNC (SAE J518) threads standard on all valves
- Handle shown in Handle Code field supplied standard
- Dimensions in inches unless otherwise noted
- Dimensions subject to change without notice



AES/F & ABS/F SERIES CODE 61/CODE 62																
CODE 61 PART NUMBER	CODE 62 PART NUMBER	DN (NOMINAL SIZE IN MM)	FLANGE SIZE	D1	D2	A1	B1	B2	L	L1	B	SW1	HANDLE CODE CC/SS (SEE PG 50-51)	WEIGHT (LBS)	PSI MAX	LOCKING KIT # (SEE PG 48-49)
AES/F3#8	AES/F6#8	13	1/2	5/16 - 18 UNC	M8	0.69/0.72	1.50/1.59	0.79/0.83	5.10	2.13	2.36	0.39	14/34	2.6	5075/6090	LK12FF
AES/F3#12	AES/F6#12	19	3/4	3/8 - 16 UNC	M10	0.88/0.94	1.87/2.00	0.87/0.94	5.77/6.00	2.60	2.76/3.15	0.55	15/35	5.1	5075/6090	LK20/25FF
AES/F3#16	AES/F6#16	25	1	3/8 - 16 UNC/ 7/16 - 14 UNC	M10/M12	1.03/1.09	2.06/2.25	0.87/1.06	6.34/6.73	2.83	2.95/3.54	0.55	15/35	7.4	4640/6090	LK20/25FF
ABS/F3#20	ABS/F6#20	32	1 1/4	7/16 - 14 UNC/ 1/2 - 13 UNC	M10/M12	1.19/1.25	2.31/2.63	0.98	6.95/7.58	3.07	3.35/3.94	0.67	21/37	9.1	4060/6090	LK32/40/50FF
ABS/F3#24	ABS/F6#24	38	1 1/2	1/2 - 13 UNC/ 5/8 - 11 UNC	M12/M16	1.41/1.44	2.75/3.13	1.06/1.38	8.15/9.13	3.62	3.94/4.72	0.67	21/37	17.4	3045/6090	LK32/40/50FF
ABS/F3#32	ABS/F6#32	51	2	1/2 - 13 UNC/ 3/4 - 10 UNC	M12/M20	1.69/1.75	3.06/3.81	1.06/1.50	8.92/10.57	4.33	4.33/5.51	0.67	22/38	24.0	3045/6090	LK32/40/50FF



AES/F & ABS/F Series - Flange Head X Flat-Face

Model Code Breakdown

AES/F3 #16 - 1 1 D B _

VALVE SERIES

AES/F3	Code 61 Block Body
AES/F6	Code 62 Block Body
ABS/F3	Code 61 Forged Body
ABS/F6	Code 62 Forged Body

CONNECTION SIZE

BODY & ADAPTER MATERIAL

1	Carbon Steel
2	Duplex/ 316 Stainless Steel

BALL & STEM MATERIAL

1	Carbon Steel
2	Duplex/ 316 Stainless Steel

**LOCKING KIT OR
OPTIONAL HANDLE CODE**
(See pages 48-51)

ADAPTER & STEM SEALS

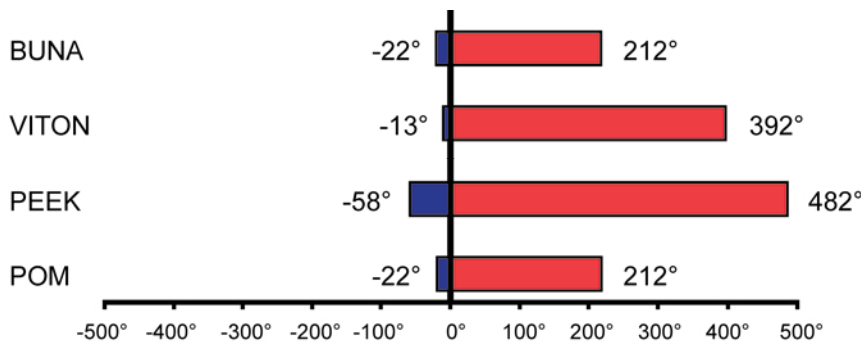
B	Buna
V	Viton

BALL & STEM SEATS

D	POM- Standard
---	---------------

Please consult your system's seal manufacturer for recommendation of seal selection, as Anchor Fluid Power does not accept responsibility for seal selection.

MAXIMUM & MINIMUM WORKING TEMPERATURES FOR SEAL MATERIALS



All temperatures are in degrees Fahrenheit.