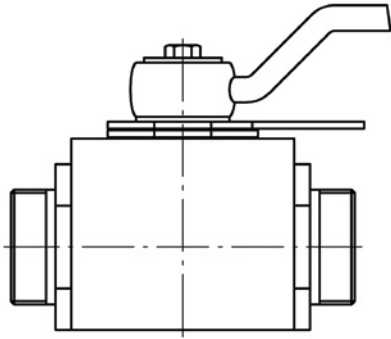
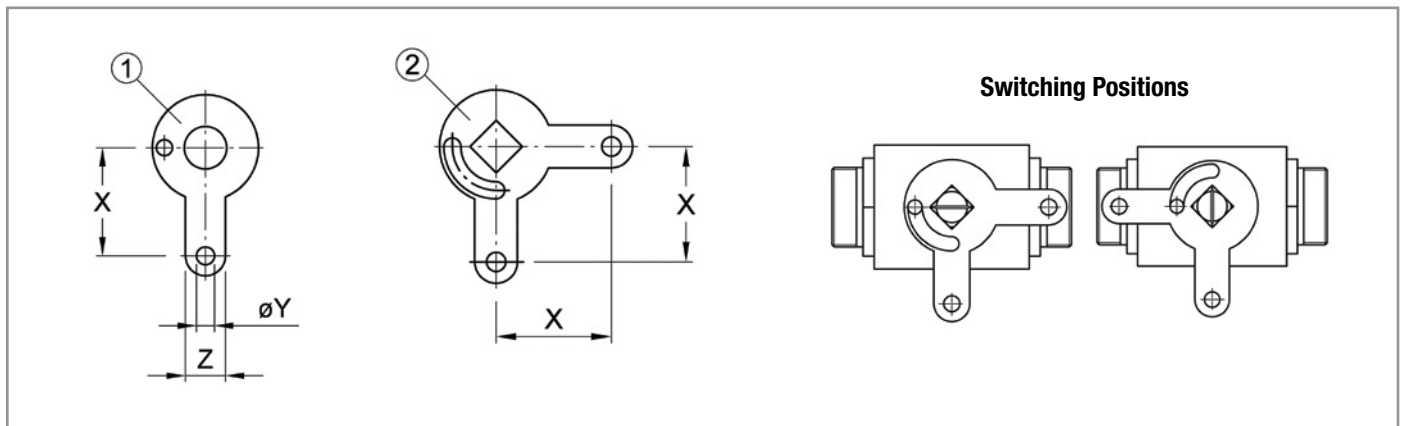


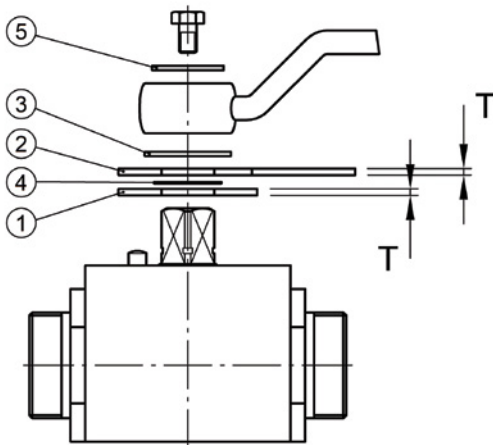
Locking Kits - for Standard Valves (2-way & 3-way)



- Add suffix 'L' to the end of any valve part number to have locking kit installed prior to shipment
- Stainless steel
- Dimensions in inches unless otherwise noted
- Dimensions subject to change without notice



Assembly



Locking device consisting of:

1. Mounting plate
2. Stop or actuation disc
3. Retaining ring
4. Thrust pad
5. Disc (DN32, DN40 and DN50)

STANDARD LOCKING KITS					
PART NUMBER	FITS DN (NOMINAL SIZE IN MM)	T	X	Y	Z
LK4/6	4/6	0.03	0.71	0.35	0.79
LK8/10	8/10	0.05	0.83	0.35	0.79
LK12	12	0.05	1.14	0.35	0.79
LK20/25	20/25	0.06	1.34	0.35	0.79
LK32/40/50	32/40/50	0.07	2.13	0.35	0.79

**All locking kits in stainless steel*

