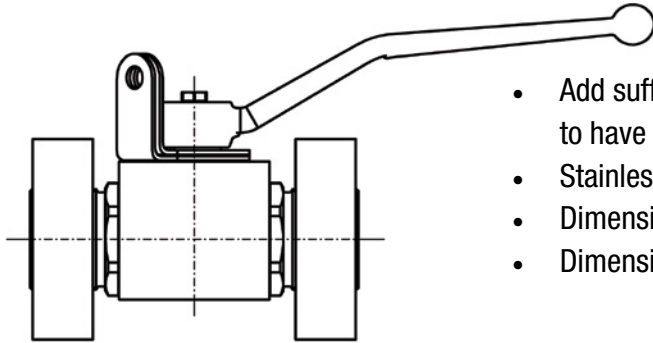
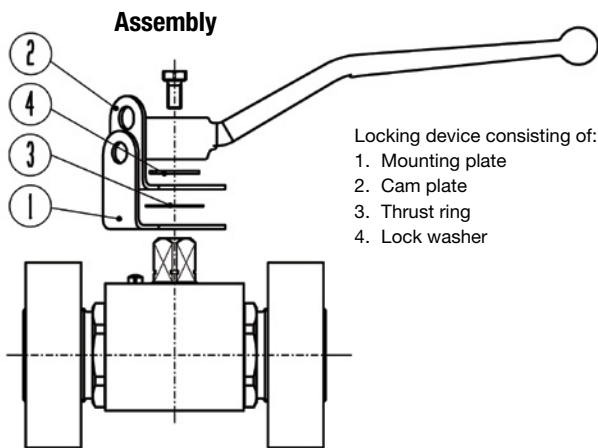
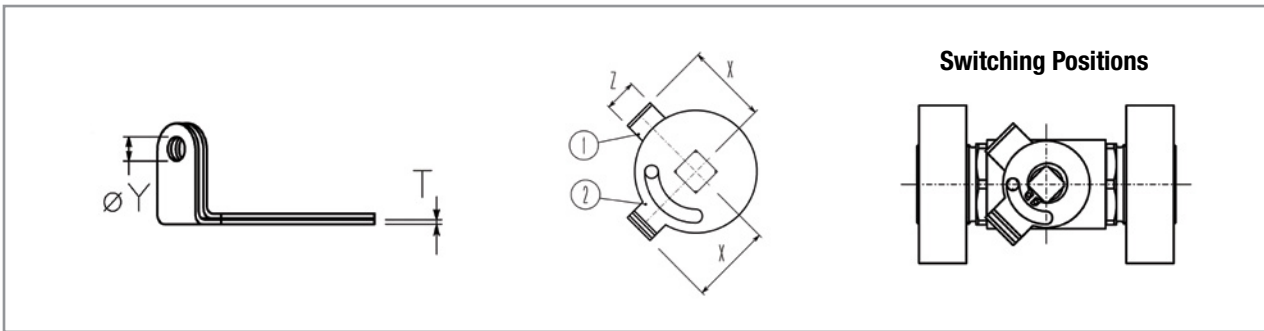


Locking Kits - for Flanged & Manifold Mount Valves (AEF, ABF, AES/F, ABS/F & APK Series)



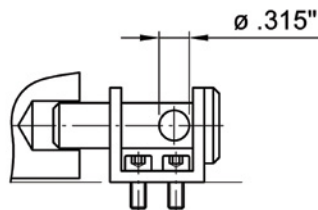
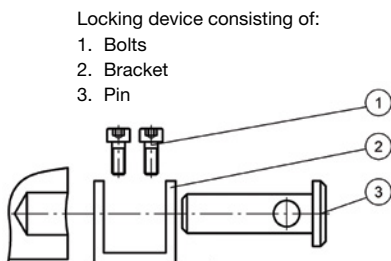
- Add suffix 'L' to the end of any valve part number to have locking kit installed prior to shipment
- Stainless steel
- Dimensions in inches unless otherwise noted
- Dimensions subject to change without notice



- Locking device consisting of:
1. Mounting plate
 2. Cam plate
 3. Thrust ring
 4. Lock washer

| FLANGED VALVE LOCKING KITS | | | | | |
|----------------------------|------------------------------|------|------|------|------|
| PART NUMBER | FITS DN (NOMINAL SIZE IN MM) | T | X | Y | Z |
| LK4/6FF | 4/6 | 0.05 | 0.71 | 0.35 | 0.59 |
| LK8/10FF | 8/10 | 0.05 | 0.83 | 0.35 | 0.59 |
| LK12FF | 12 | 0.05 | 1.10 | 0.35 | 0.59 |
| LK20/25FF | 20/25 | 0.07 | 1.34 | 0.35 | 0.59 |
| LK32/40/50FF | 32/40/50 | 0.07 | 1.65 | 0.35 | 0.59 |

**All locking kits in stainless steel*



| LOCKING KIT FOR 3" - 5" ARS SERIES | |
|------------------------------------|--|
| PART NUMBER | |
| LK76/102/127 | |