

COILS Code ②	Alternating Current						Direct Current				Electrical connection	Connectors
	24V		120V		240V		12V		24V			
Series 3 Width 22mm	U35B c	30B	U35D c	30D	U35F c	30F	-	300	-	301	DIN 46244	PG9 code 10348000
Series 4 Width 30mm	-	40B	-	40D	-	40F	U450 c	400	U451 c	401	DIN 43650A	PG9 code 10349000

DESCRIPTION
 Class F or H insulation
 Voltage tolerance $\pm 10\%$
 Protection class:
 IP65 with connector attached
 IP00 without connector
 Continuous service ED100%

OPTIONS
 Cable attached
 Special coil voltage
 Special coil powers

OVERALL DIMENSIONS

inches (mm)



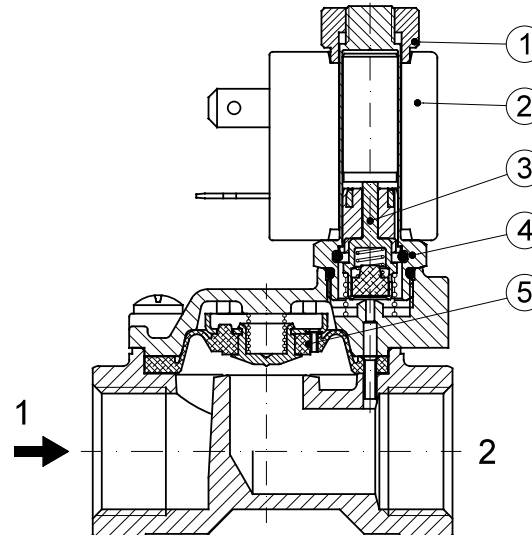
Series 3 Weight 0.11lb (0.05Kg)

Series 4 Weight 0.22lb (0.1Kg)

FOR COIL SPECIFICATION SEE SECTION 6

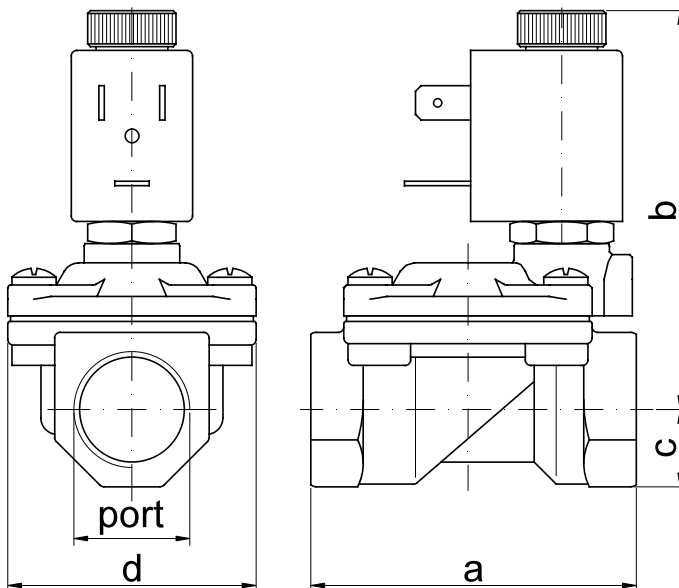
SPARE PARTS LIST

1. Coil fixing nut
2. Coil
3. Seal assembly
4. Armature tube assembly
5. Diaphragm assembly



OVERALL DIMENSIONS

inches (mm)



PORT SIZE	a		b		c		d		weight	
	in	mm	in	mm	in	mm	in	mm	lb	Kg
1/4 Ø0.394 (Ø10)	1.93	49	2.83	72	0.43	11	1.26	32	0.53	0.24
3/8 Ø0.394 (Ø10)	1.93	49	2.83	72	0.43	11	1.26	32	0.51	0.23
3/8 Ø0.472 (Ø12)	2.32	59	3.03	77	0.55	14	1.77	45	0.93	0.42
1/2 Ø0.472 (Ø12)	2.32	59	3.03	77	0.55	14	1.77	45	0.86	0.39
3/4	3.11	79	3.27	83	0.71	18	2.17	55	1.43	0.65
1	3.78	96	3.62	92	0.79	20	2.83	72	2.31	1.05
1-1/4 Ø1.181 (Ø30)	4.69	119	3.90	99	0.98	25	3.35	85	3.75	1.70

DESCRIPTION

Solenoid valve 2 way normally open with servo-assisted diaphragm

CONSTRUCTION

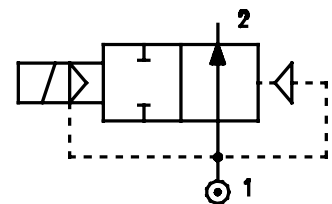
Body and cover	Brass
Armature tube	Stainless steel
Plunger and core	Stainless steel
Springs	Stainless steel
Seal material	NBR - FPM - EPDM



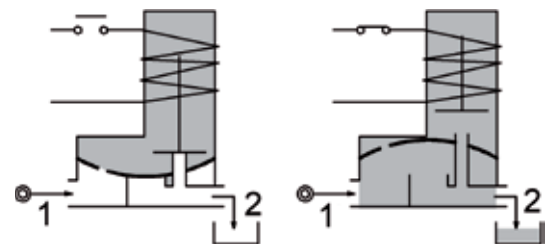
FEATURES

- Minimum differential pressure 2.2÷44psi
- Maximum fluid viscosity 25cSt (mm²/s)
- Ambient temperature: +14°F +131°F (class F coil)
 +14°F +140°F (UL certified coil)
 +14°F +176°F (class H coil)
- Preferred mounting position with vertical coil above

OPTIONS: Electroless nickel plating



4



CODE	Port Size	Orifice Size		Flow Factor Cv	Operating Pressure Differential (M.O.P.D.) ④								Nominal power			Coil		Seal ①	Temp. range (°F)
					Min		Max				AC Inrush (VA)	DC Holding (W)	Series	Width (mm)					
					(psi)	(bar)	AC (psi) (bar)		DC (psi) (bar)										
E207GN...37///...	1-1/4	1.457	37	20.8	2.2	0.15	145	10	145	10	20	15	10	2	30	NBR=B EPDM=E FPM=V	+14 +194 +14 +284 +14 +284		
E207HN...37///...	1-1/2	1.457	37	24.3	2.2	0.15	145	10	145	10									
E207IN...50///...	2	1.969	50	41.6	2.2	0.15	145	10	145	10									
E207MNB75///...	2-1/2	2.953	75	86.7	4.4	0.3	72.5	5	7.5	5	20	15	10	2	30	NBR=B	+14 +194		
E207RNB75///...	3	2.953	75	97.1	4.4	0.3	72.5	5	7.5	5									
③E207MNB75/W/...	2-1/2	2.953	75	86.7	44	3	217	15	217	15	40	30	27	5	36			NBR=B	+14 +194
③E207RNB75/W/...	3	2.953	75	97.1	44	3	217	15	217	15									

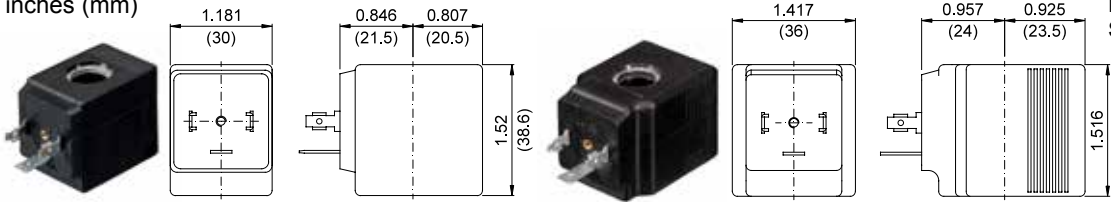
- ① Seal Ordination example: E207INB50///U251 NBR seal, connection 2 NPT
- ② Coil Coil 24V DC certified and marked
- ③ Reinforced diaphragm
- ④ Safe Working Pressure:290 psi. Is the line or system pressure to which the valve may be subjected without being damaged. The maximum allowable pressure PS for steam is 36 psi.

COILS Code ②	Alternating Current						Direct Current				Electrical connection	Connectors	DESCRIPTION Insulation class F or H Voltage tolerance ±10% Protection class: IP65 with connector attached IP00 without connector Continuous service ED100%
	24V		120V		240V		12V		24V				
Series 2 Width 30mm	U25B 	20B	U25D 	20D	U25F 	20F	U250 	200	U251 	201	DIN 43650A	PG9 code 10349000	
Series 5 Width 36mm	U55B 	52B	U55D 	52D	U55F 	52F	U550 	520	U551 	521	DIN 43650A	PG11 code 10349001	

OPTIONS
Cable attached
Special coil voltage
Special coil powers

OVERALL DIMENSIONS

inches (mm)



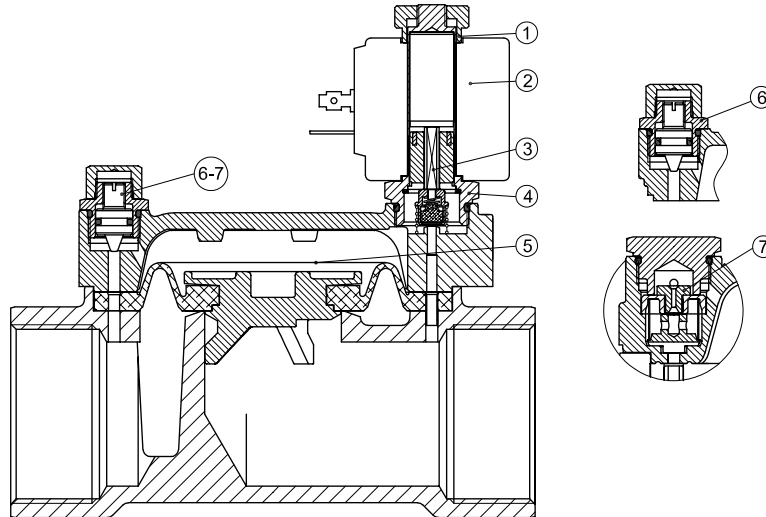
Series 2 Weight 0.26lb (0.12Kg)

Series 5 Weight 0.44lb (0.20Kg)

FOR COIL SPECIFICATION SEE SECTION 6

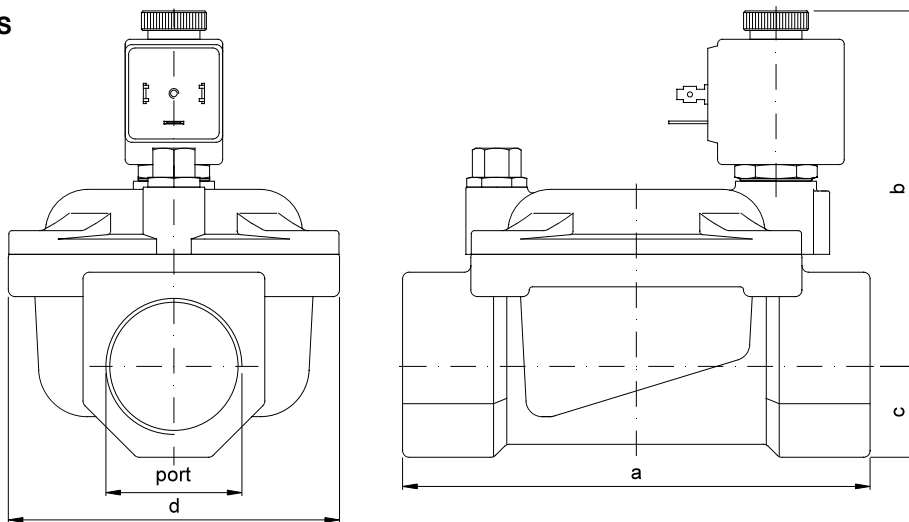
SPARE PARTS LIST

- Coil fixing nut
- Coil
- Seal assembly
- Armature tube with core
- Diaphragm assembly
- Speed control valve
- Water hammering reducer
Ø0.03-Ø0.039-Ø0.04
(Ø0.8-Ø1.2-Ø1.5)



OVERALL DIMENSIONS

inches (mm)



PORT SIZE	a		b		c		d		weight	
	in	mm	in	mm	in	mm	in	mm	lb	Kg
1-1/4	5.59	142	4.33	110	1.1	28	4.02	102	6.61	3
1-1/2	5.59	142	4.33	110	1.1	28	4.02	102	6.28	2.85
2	6.22	158	4.72	120	1.38	35	4.69	119	9.48	4.3
2-1/2	8.9	226	5.47	139	2.01	51	6.65	169	25.8	11.7
3	8.9	226	5.47	139	2.01	51	6.65	169	21.8	9.9