

DESCRIPTION

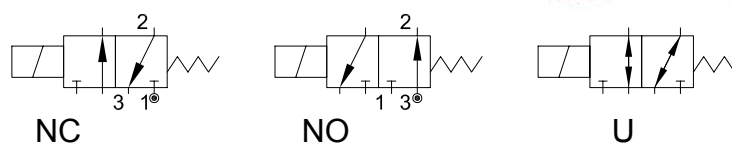
Solenoid valve 3 way
direct acting poppet type

CONSTRUCTION

Body	Brass
Armature tube	Brass
Plunger and core	Stainless steel
Springs	Stainless steel
Seal material	NBR - FPM - EPDM



3

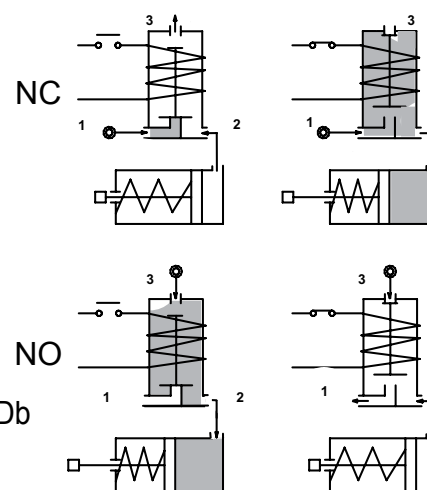


FEATURES

Maximum fluid viscosity 25cSt (mm²/s)
Ambient temperature: +14°F +131°F (class F coil)
+14°F +140°F (UL certified coil)
Universal mounting position

OPTIONS:

Silver shading ring
Electroless nickel plating
Exhaust port with hosetail connection
Series 7 explosion proof coil according to
☉ ATEX II 2G Ex mb IIC T6, T5, T4 Gb
II 2D Ex mb IIIC T85°C, T100°C, T135°C Db
similar to NEC 505 Div.1 Class II IIC T6



CODE	Port Size	Orifice Size				Flow Factor Cv	Operating Pressure Differential (M.O.P.D.) ^③				Nominal power		Coil		Seal	Temp. range			
		Inlet		Exhaust			Min	Max		AC	DC	Series	Width						
①	②	(in)	(mm)	(in)	(mm)	(gpm)		AC	DC	(psi)	(bar)	(psi)	(bar)	Inrush	Holding	(W)	(mm)	①	(°F)
NC Normally closed																			
E312X...12///...	□1in (□25mm)	0.047	1.2	0.059	1.5	0.046	0	217	15	217	15	12	8	6.5	3	22	NBR=B	+14	+194
E312X...15///...	□1in (□25mm)	0.059	1.5	0.059	1.5	0.069	0	145	10	145	10								
NO Normally open																			
E312X...15/S/...	□1in (□25mm)	0.059	1.5	0.059	1.5	0.069	0	145	10	145	10	12	8	6.5	3	22	EPDM=E	+14	+284
U Universal																			
E312X...15/G/...	□1in (□25mm)	0.059	1.5	0.059	1.5	0.069	0	87	6	87	6	12	8	6.5	3	22	FPM=V	+14	+284

① Seal

Ordination example: E312XB15///U35B NBR seal

② Coil

Coil 24V 60Hz certified us and marked

③ Safe Working Pressure: M.O.P.D. +10%.

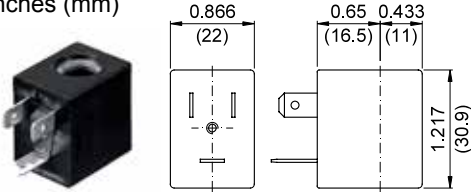
Is the line or system pressure to which the valve may be subjected without being damaged.

COILS Code ②	Alternating Current						Direct Current				Electrical connection	Connectors
	24V		120V		240V		12V		24V			
Series 3 Width 22mm	U35B c US	30B	U35D c US	30D	U35F c US	30F	U350 c US	300	U351 c US	301	DIN 46244	PG9 code 10348000

DESCRIPTION
 Class F or H insulation
 Voltage tolerance ±10%
 Protection class:
 IP65 with connector attached
 IP00 without connector
 Continuous service ED100%

OVERALL DIMENSIONS

inches (mm)



Series 3 Weight 0.11lb (0.05Kg)

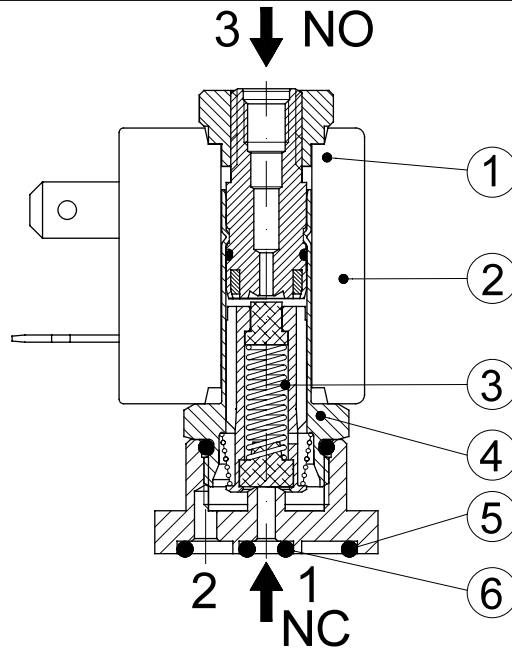
OPTIONS

Cable attached
 Special coil voltage
 Special coil powers

FOR COIL SPECIFICATION SEE SECTION 6

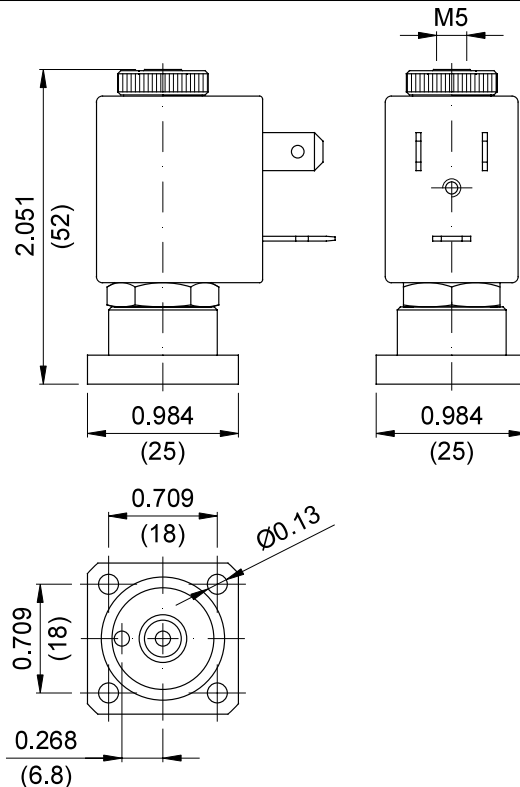
SPARE PARTS LIST

1. Coil fixing nut
2. Coil
3. Plunger
4. Armature tube assembly
5. OR 2068
6. OR2010



OVERALL DIMENSIONS

inches (mm)



Weight=0.26lb (0.12Kg)