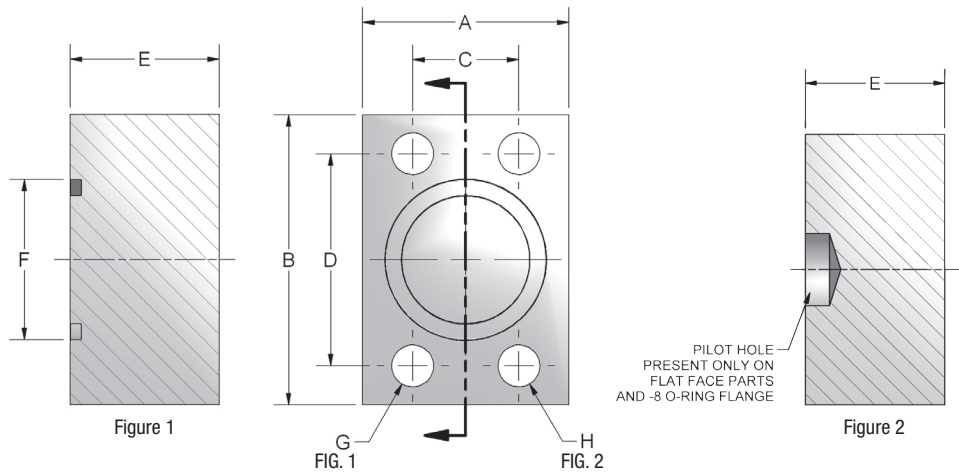


Blanking



CODE 61 BLANKING												
PART NO. O-RING FIG. 1	PART NO. FLAT FACE FIG. 2	PAD	A	B	C	D	E	F	G	H UNC-2B	MOUNTING HARDWARE	
											O-RING	SHCS
W36-8-8-SS	W37-8-8-SS	.50	1.50	2.12	.688	1.50	1.20	1.000	.344	5/16-18	210	5/16-18X2.00
W36-12-12-SS	W37-12-12-SS	.75	1.75	2.62	.875	1.875	1.20	1.250	.406	3/8-16	214	3/8-16X2.00
W36-16-16-SS	W37-16-16-SS	1.00	2.00	2.82	1.031	2.063	1.45	1.560	.406	3/8-16	219	3/8-16X2.25
W36-20-20-SS	W37-20-20-SS	1.25	2.50	3.19	1.188	2.313	1.45	1.750	.469	7/16-14	222	7/16-14X2.25
W36-24-24-SS	W37-24-24-SS	1.50	2.75	3.75	1.406	2.750	1.70	2.115	.531	1/2-13	225	1/2-13X2.50
W36-32-32-SS	W37-32-32-SS	2.00	3.25	4.00	1.688	3.063	1.70	2.490	.531	1/2-13	228	1/2-13X2.50
W36-40-40-SS	W37-40-40-SS	2.50	4.00	4.50	2.000	3.500	1.95	2.995	.531	1/2-13	232	1/2-13X2.75
W36-48-48-SS	W37-48-48-SS	3.00	4.50	5.31	2.438	4.188	2.20	3.615	.656	5/8-11	237	5/8-11X3.50
W36-56-56-SS	W37-56-56-SS	3.50	5.00	6.00	2.750	4.750	1.45	4.095	.656	5/8-11	241	5/8-11X2.75
W36-64-64-SS	W37-64-64-SS	4.00	5.50	6.38	3.062	5.125	1.45	4.595	.656	5/8-11	245	5/8-11X2.75

CODE 62 BLANKING												
PART NO. O-RING FIG. 1	PART NO. FLAT FACE FIG. 2	PAD	A	B	C	D	E	F	G	H UNC-2B	MOUNTING HARDWARE	
											O-RING	SHCS
W38-8-8-SS	W39-8-8-SS	.50	1.75	2.22	.718	1.594	.94	1.000	.344	5/16-18	210	5/16-18X1.50
W38-12-12-SS	W39-12-12-SS	.75	2.00	2.81	.937	2.000	1.19	1.250	.406	3/8-16	214	3/8-16X2.00
W38-16-16-SS	W39-16-16-SS	1.00	2.25	3.19	1.093	2.250	1.44	1.560	.492	7/16-14	219	7/16-14X2.25
W38-20-20-SS	W39-20-20-SS	1.25	2.75	3.75	1.250	2.625	1.44	1.750	.531	1/2-13	222	1/2-13X2.50
W38-24-24-SS	W39-24-24-SS	1.50	3.25	4.50	1.437	3.125	1.69	2.115	.656	5/8-11	225	5/8-11X2.75
W38-32-32-SS	W39-32-32-SS	2.00	4.00	5.25	1.750	3.812	1.69	2.490	.781	3/4-10	228	3/4-10X3.00
W38-40-40-SS	W39-40-40-SS	2.50	5.00	6.88	2.312	4.875	1.94	2.995	.906	7/8-9	232	7/8-9X3.75
W38-48-48-SS	W39-48-48-SS	3.00	6.00	8.50	2.812	6.000	2.44	3.615	1.190	1 1/8-7	237	1 1/8-7X4.50

Mounting kit available on o-ring grooved flanges by simply adding suffix letter 'U' to part number.

