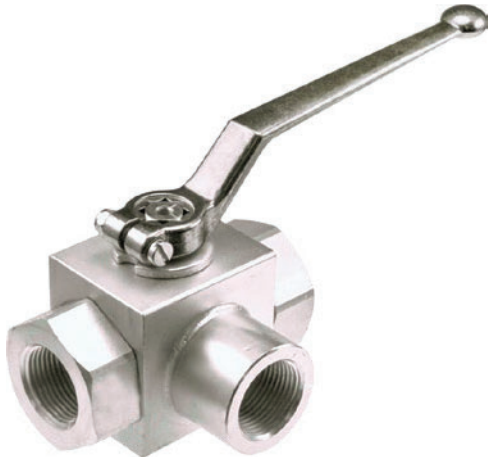
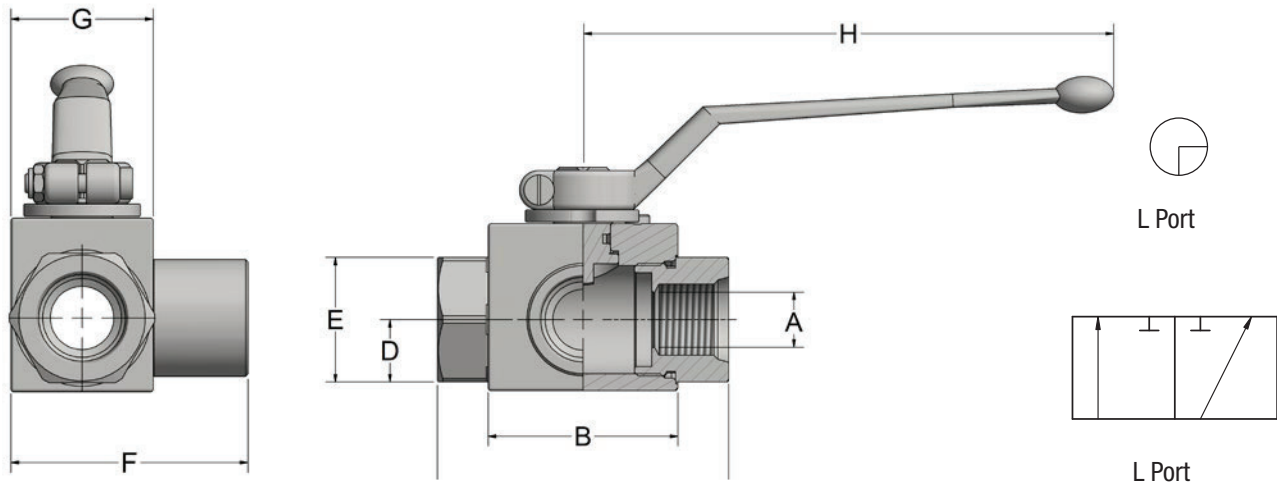


BALL VALVES

AE3K Series - Three-Way Block Body Threaded



- Any port may be pressurized on this series valve ("True" 3-way valve)
- Carbon Steel with Zinc Chromate Plating (RoHS Compliant)
- POM seats & Buna O-rings standard on carbon steel valves
- Optional seal materials available for extreme temperature applications & fluid compatibility (Consult Factory)



Standard handles supplied are: 1/4" - 1/2" C1010ZB
 Refer to page 45 for details. 3/4" - 1" C1200ZB

AE3K SERIES FULL BORE											
NPT	SAE	PSI MAX	A BORE	B	C	D	E	F	G	H	WEIGHT
AE3K L N1/4	AE3K L S#4	7250	.24	1.67	2.80	.57	1.38	1.91	1.18	4.33	1.2 LBS
AE3K L N3/8	AE3K L S#6	7250	.39	1.75	2.87	.69	1.57	2.15	1.38	4.33	1.5 LBS
AE3K L N1/2	AE3K L S#8	7250	.51	1.91	3.27	.71	1.69	2.30	1.46	4.33	1.8 LBS
AE3K L N3/4	AE3K L S#12	5800	.79	2.46	3.74	.92	2.17	2.95	1.77	7.01	3.5 LBS
AE3K L N1	AE3K L S#16	6090	.98	2.62	4.41	1.16	2.56	3.44	2.17	7.01	5.3 LBS

NPT threads in accordance with ANSI B.1.20.1 specifications.
 SAE threads in accordance with SAE J1926-1 specifications.



866-FLANGES | 513.527.4444 | Fax 513.527.4449
 sales@anchorfluidpower.com | anchorfluidpower.com

AE3K Series - Three-Way Block Body Threaded

Model Code Breakdown

AE3K L N1/2 - 1 1 D B -

VALVE SERIES

PORT TYPE

L	"Diverter" L-Port
---	-------------------

CONNECTION TYPE/SIZE

N	NPT Pipe Thread
S	SAE Straight Thread

BORE RESTRICTION

blank	Unrestricted Bore
R	Restricted Bore

BODY & ADAPTER MATERIAL

1	Carbon Steel
---	--------------

BALL & STEM MATERIAL

1	Carbon Steel
---	--------------

LOCKING KIT OR OPTIONAL HANDLE CODE
(See pages 44 & 45)

ADAPTER & STEM SEALS

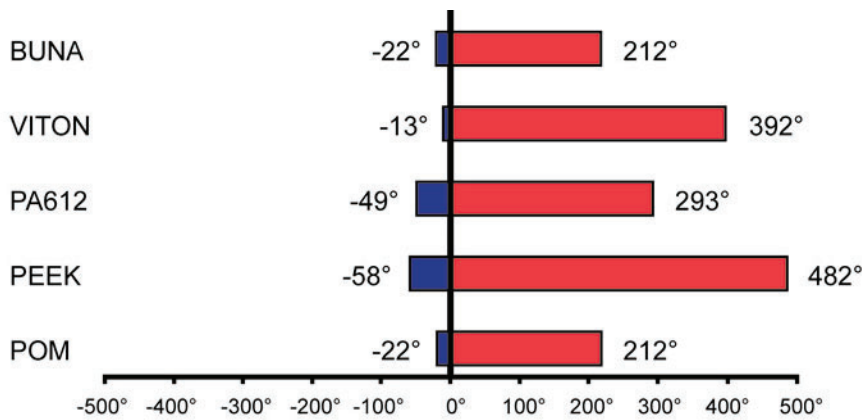
B	Buna- Standard
V	Viton

BALL & STEM SEATS

D	POM- Standard
---	---------------

Please consult your system's seal manufacturer for recommendation of seal selection, as Anchor Fluid Power does not accept responsibility for seal selection.

MAXIMUM & MINIMUM WORKING TEMPERATURES FOR SEAL MATERIALS



All temperatures are in degrees Fahrenheit.