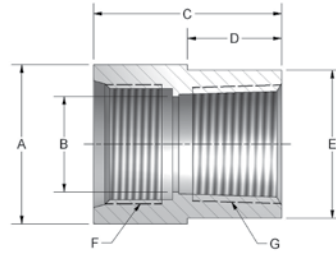
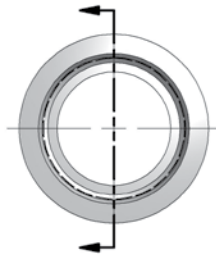
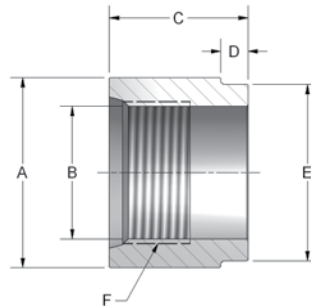
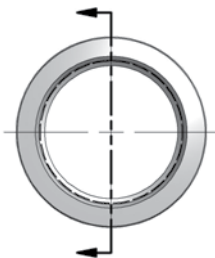
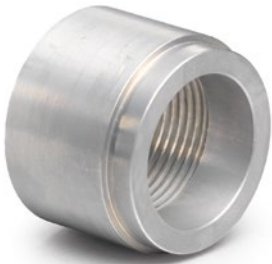


ISO 6149 Metric Couplings



- AISI 1020 Carbon Steel
- 316L Stainless Steel
- Includes individual thread identification marking
- Additional thread sizes and configurations available

ISO 6149 TO NPTF FULL COUPLING								
CARBON STEEL PART NO.	STAINLESS STEEL PART NO.	A	B	C	D	E	F ISO 6149 METRIC	G NPTF
885-M27-12	885-M27-12-SS	1.50	.850	2.06	1.03	1.375	M27 X 2	3/4-14
885-M33-16	885-M33-16-SS	1.75	1.050	2.06	1.03	1.625	M33 X 2	1-11.5
885-M42-20	885-M42-20-SS	2.25	1.420	2.06	1.03	2.125	M42 X 2	1 1/4-11.5
885-M48-24	885-M48-24-SS	2.75	1.650	2.20	1.10	2.500	M48 X 2	1 1/2-11.5
885-M60-32	885-M60-32-SS	3.25	2.125	2.50	1.25	3.000	M60 X 2	2-11.5



- AISI 1020 Carbon Steel
- 316L Stainless Steel
- Includes individual thread identification marking
- Additional thread sizes and configurations available

ISO 6149 HALF COUPLING							
CARBON STEEL PART NO.	STAINLESS STEEL PART NO.	A	B	C	D	E	F ISO 6149 METRIC
880-M27	880-M27-SS	1.50	.981	1.28	.250	1.375	M27 X 2
880-M33	880-M33-SS	1.75	1.231	1.28	.250	1.625	M33 X 2
880-M42	880-M42-SS	2.25	1.544	1.28	.250	2.125	M42 X 2
880-M48	880-M48-SS	2.75	1.794	1.28	.250	2.500	M48 X 2
880-M60	880-M60-SS	3.25	2.419	1.50	.250	3.000	M60 X 2

