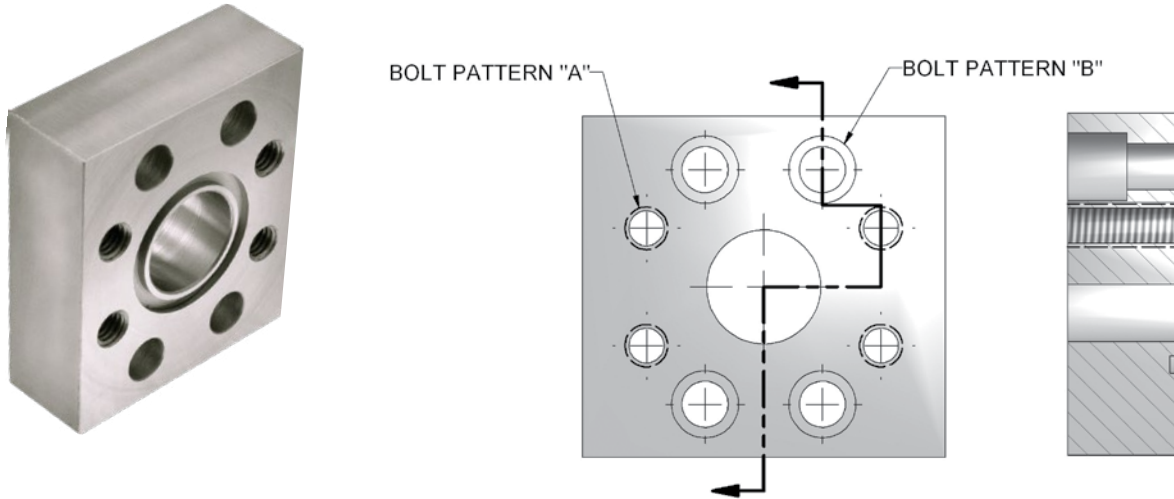


Bolt Pattern Adapters



Outer envelope shape may vary due to size configuration.

Mounting kit available on o-ring grooved flanges by simply adding suffix letter 'U' to part number.

ORDERING INFORMATION

