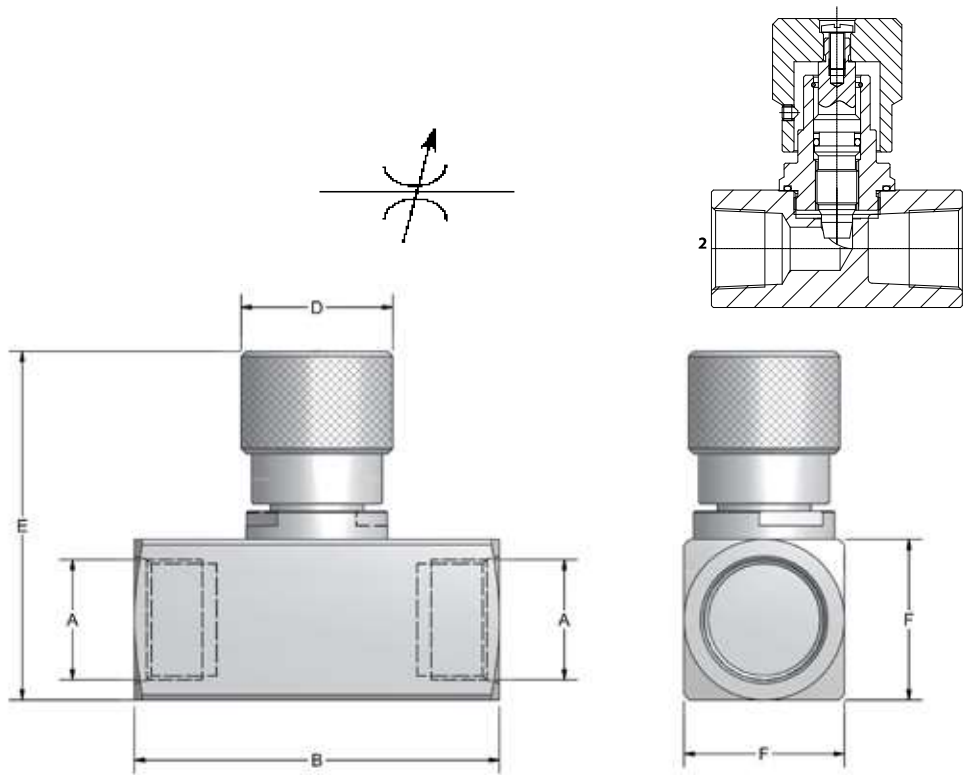


Needle Valves - Carbon Steel



- NPTF & SAE Connections
- Carbon Steel with Zinc Chromate Plating (RoHS Compliant)
- Set Screw Allows Knob to be Locked into Position
- Graduated Knob & Spindle for Accurate Flow Control
- Buna O-Ring / PTFE Stem Packing
- Temperature Range -4°F to +176°F
- These valves are for control of flow only. Not to be used as isolation or shut-off valves
- For hydraulic use only. Consult factory for fluid compatibility.



NEEDLE VALVES								
A		B	D	E	F	MAX PSI	MAX FLOW GPM	WEIGHT (LB)
NPTF	SAE							
1/4	#4	2.12	1.18	2.67	0.98	5700	4	0.70
3/8	#6	2.12	1.18	2.67	0.98	5700	8	0.66
1/2	#8	2.51	1.29	2.85	1.18	5700	13	1.0
3/4	#12	3.19	1.65	3.70	1.57	5700	21	2.3
1	#16	4.00	1.65	3.93	1.77	5700	40	3.2
1-1/4	#20	4.02	2.08	4.78	2.16	5000	50	5.0
1-1/2	#24	4.02	2.08	5.17	2.55	5000	80	6.5



Needle Valves - Carbon Steel

Model Code Breakdown

N N 1/2 - 1

Valve Series •

Material

Thread Type •

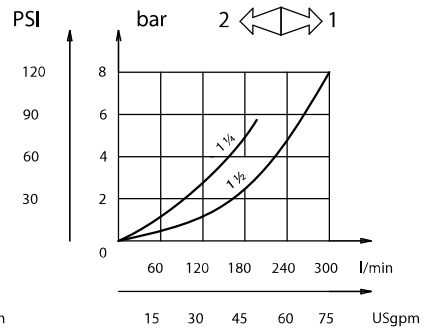
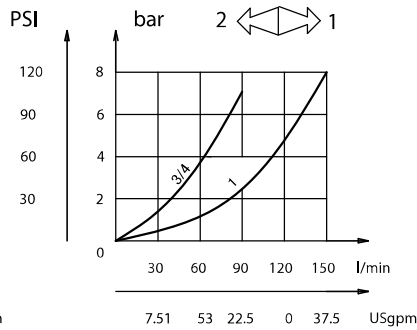
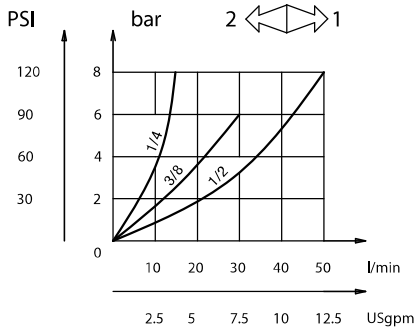
1	Carbon Steel
---	--------------

N	NPTF Pipe Thread
S#	SAE Straight Thread

Thread Size

Example	N1/2
	S#8

NPTF



SAE

