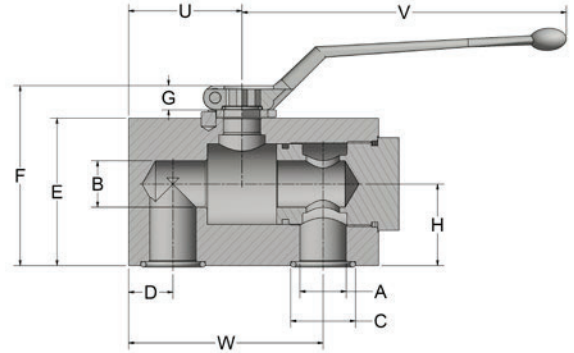
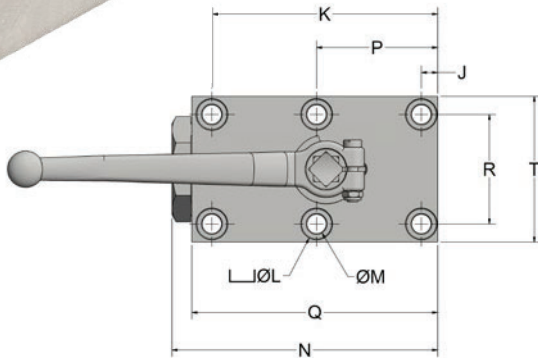


# APK Series - Two-Way Manifold Mount



- Carbon Steel with Zinc Chromate Plating (RoHS Compliant)
- POM seats & Buna O-rings standard on carbon steel valves
- Optional seal materials available for extreme temperature applications & fluid compatibility (Consult Factory)



Standard handles supplied are: #4 - #8 C1010ZB  
 Refer to page 45 for details. #12 - #16 C1200ZB  
 #20 - #24 C92501Z

APK SERIES									
SERIES	PSI MAX	A	B	C	D	E	F	G	H
APK2 #4	7250	.24	.24	.464	.37	1.38	1.67	.30	.89
APK2 #6	7250	.39	.39	.586	.39	1.77	2.32	.43	.89
APK2 #8	5800	.51	.51	.980	.71	2.17	2.72	.43	1.18
APK2 #12	5075	.79	.79	1.141	.83	2.76	3.48	.55	1.52
APK2 #16	5075	.98	.98	1.374	.94	3.13	3.86	.55	1.73
APK2 #20	5075	1.26	1.26	1.562	1.10	4.15	4.88	.55	2.31
APK2 #24	5075	1.46	1.57	1.877	1.14	4.53	5.26	.55	2.41

APK SERIES (CONT'D)												
SERIES	J	K	L	M	N	P	Q	R	T	U	V	W
APK2 #4	.354	1.73	.413	.255	2.54	*N/A	2.28	1.062	1.57	1.04	4.33	1.75
APK2 #6	.295	2.46	.531	.334	3.13	*N/A	2.76	1.574	2.17	1.13	4.33	2.12
APK2 #8	.374	3.64	.531	.334	4.35	2.00	3.94	1.771	2.36	1.73	4.33	2.99
APK2 #12	.452	4.27	.649	.413	5.08	2.36	4.65	2.007	2.76	2.05	7.09	3.54
APK2 #16	.354	4.88	.649	.413	5.74	2.62	5.31	2.362	3.15	2.41	7.09	4.13
APK2 #20	.433	5.79	.748	.511	7.22	3.11	6.50	3.070	3.94	2.91	11.81	4.88
APK2 #24	1.141	5.55	.984	.649	7.93	3.35	7.28	3.740	5.12	3.35	11.81	5.55

\*Valve sizes #4 & #6 only have (4) mounting holes.



# APK Series - Two-Way Manifold Mount

## Model Code Breakdown

APK2 #20 - 1 1 D B

**VALVE SERIES**

APK2	Manifold Mount 2-way
------	----------------------

**CONNECTION SIZE**

1	Carbon Steel
---	--------------

**BODY & ADAPTER MATERIAL**

1	Carbon Steel
---	--------------

**BALL & STEM MATERIAL**

1	Carbon Steel
---	--------------

**ADAPTER & STEM SEALS**

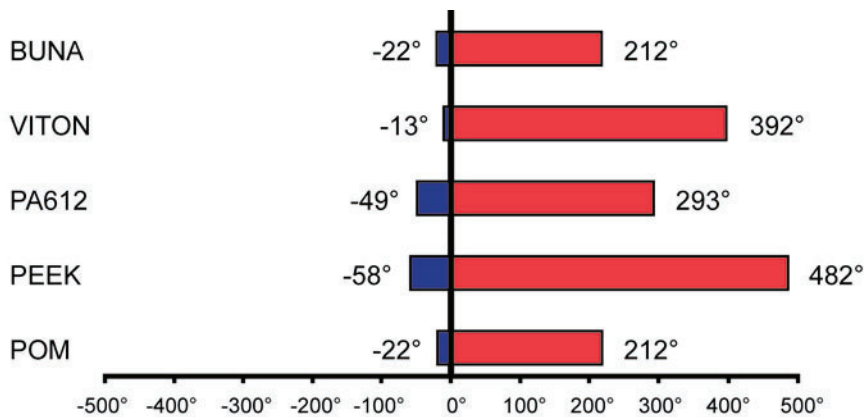
B	Buna- Standard
V	Viton

**BALL & STEM SEATS**

D	POM- Standard
P	PEEK

Please consult your system's seal manufacturer for recommendation of seal selection, as Anchor Fluid Power does not accept responsibility for seal selection.

**MAXIMUM & MINIMUM WORKING TEMPERATURES FOR SEAL MATERIALS**



All temperatures are in degrees Fahrenheit.