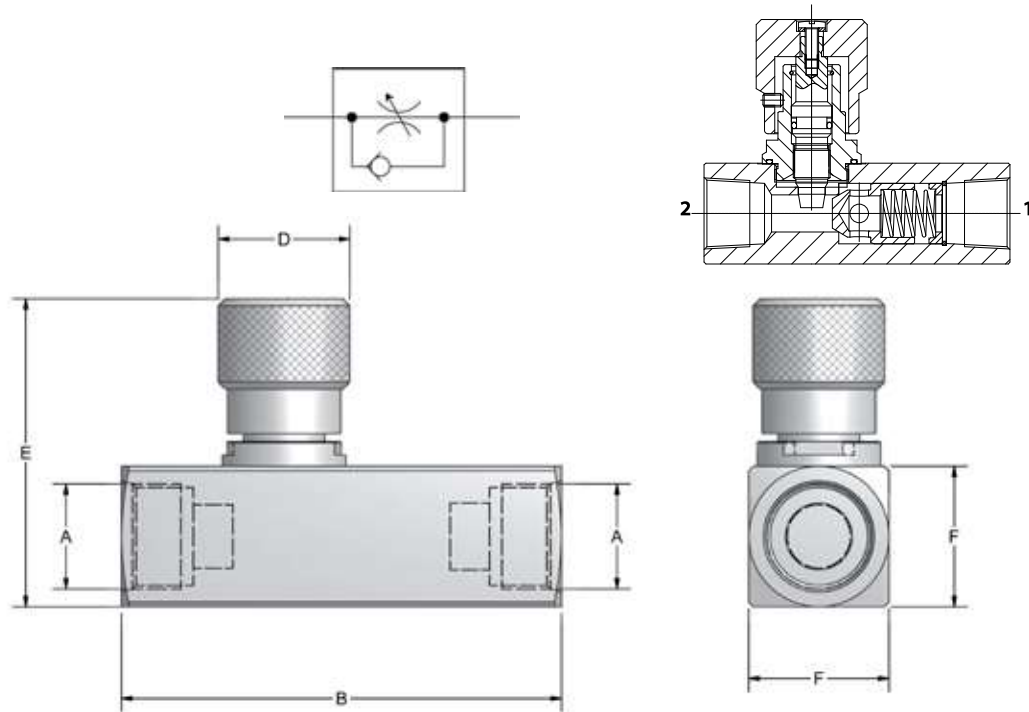


# Flow Control Valves - Carbon Steel



- NPTF & SAE Connections
- Carbon Steel with Zinc Chromate Plating (RoHS Compliant)
- Set Screw Allows Knob to be Locked into Position
- Graduated Knob & Spindle for Accurate Flow Control
- 7 PSI Standard Spring Setting
- Buna O-Ring / PTFE Stem Packing
- Temperature Range -4°F to +176°F
- These valves are for control of flow only. Not to be used as isolation or shut-off valves
- For hydraulic use only. Consult factory for fluid compatibility.



FLOW CONTROL VALVES								
A		B	D	E	F	MAX PSI	MAX FLOW GPM	WEIGHT (LB)
NPTF	SAE							
1/4	#4	2.60	1.18	2.67	0.98	5700	4	0.83
3/8	#6	3.00	1.18	2.67	0.98	5700	8	0.86
1/2	#8	3.58	1.29	2.79	1.18	5700	13	1.4
3/4	#12	4.43	1.65	3.70	1.57	5700	21	3.0
1	#16	5.55	1.65	3.93	1.77	5700	40	4.2
1-1/4	#20	6.10	2.08	4.78	2.16	5000	50	7.0
1-1/2	#24	6.61	2.08	5.17	2.55	5000	80	10.0

